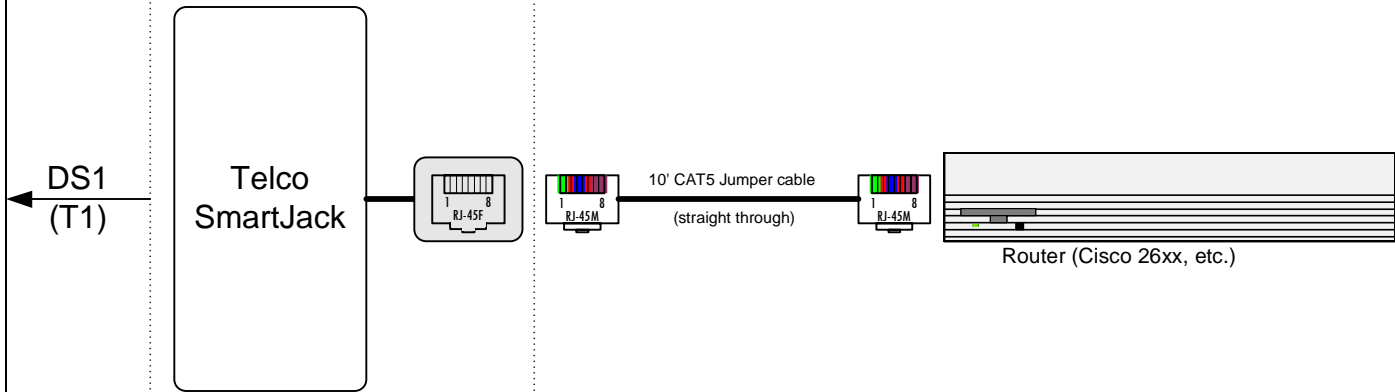


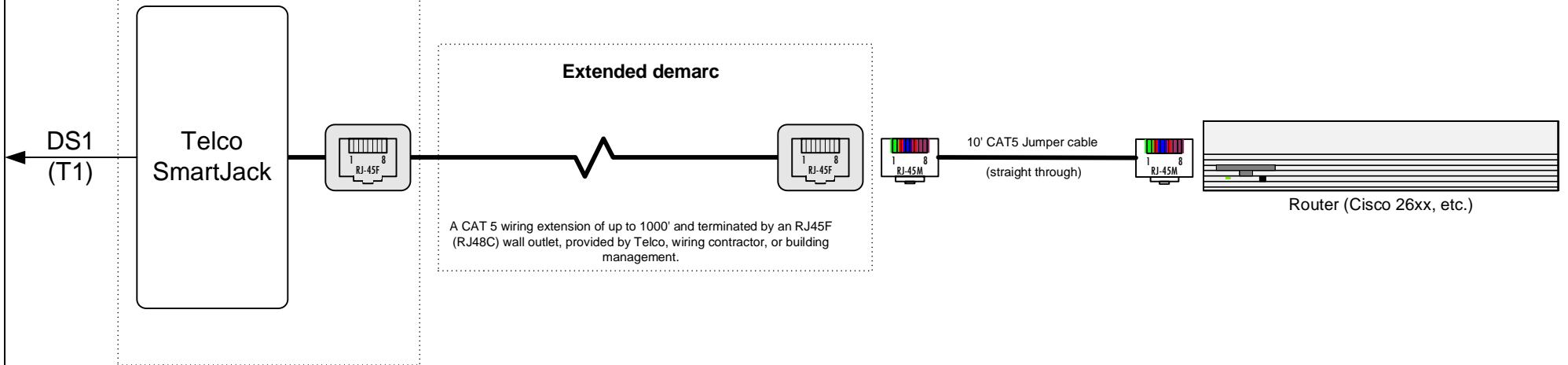
Standard demarc

A normal Telco demarc (wall jack) is usually within a few feet of the Smart Jack. The router must be installed within reach of a 10' cable.



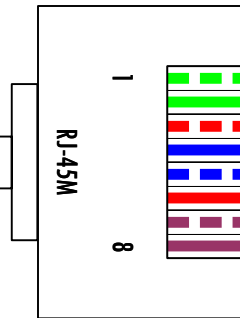
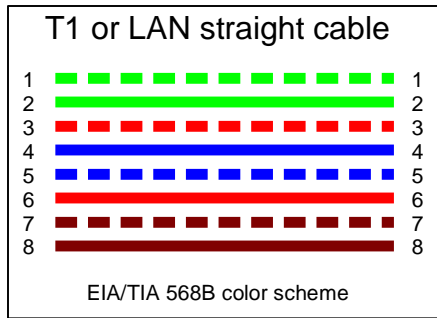
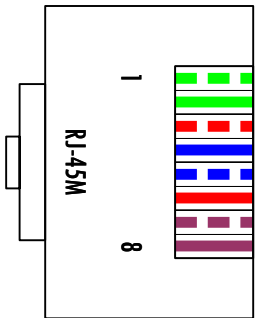
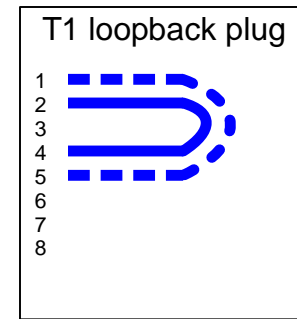
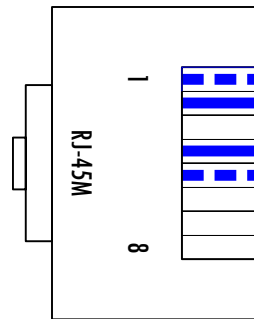
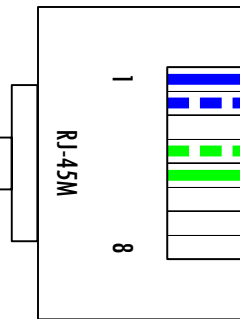
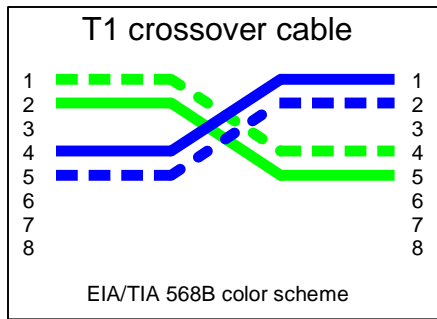
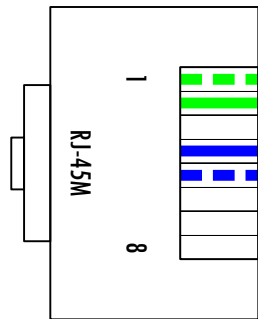
The Smart Jack is used by the Telco to amplify and test the circuit, and is usually mounted on a wall in the phone closet, basement, or room where other telephone circuits enter the building.

Standard demarc



Extended demarc

A CAT 5 wiring extension of up to 1000' and terminated by an RJ45F (RJ48C) wall outlet, provided by Telco, wiring contractor, or building management.



DS3 cable pair (BNC connectors)



AT&T 734 or equivalent is good for 450ft/137m max.
 AT&T 735 or equivalent is good for 225ft/68m max.
 RG59 is good for 340ft/103m max.

